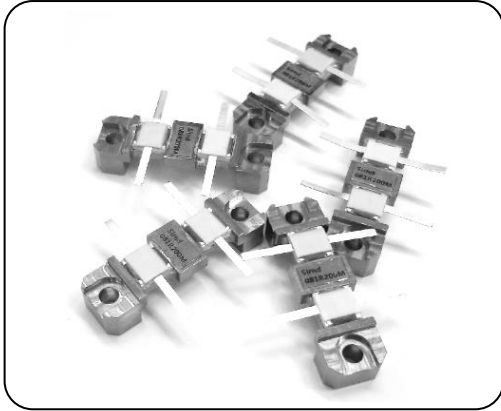




**SILICON R&D**  
Your RF Solution Provider

# 30W AIN Flanged Resistor

## 081R200M



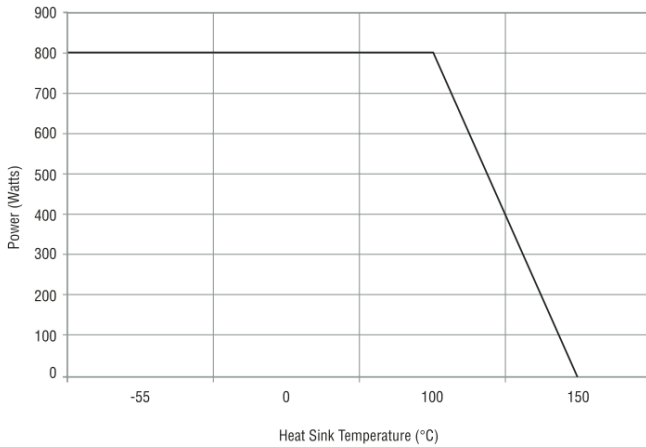
### Features

- Flanged Model
- Substrate : AIN
- Heat Sink : Cu
- Power : 30W
- Resistance :  $200\Omega \pm 5\%$

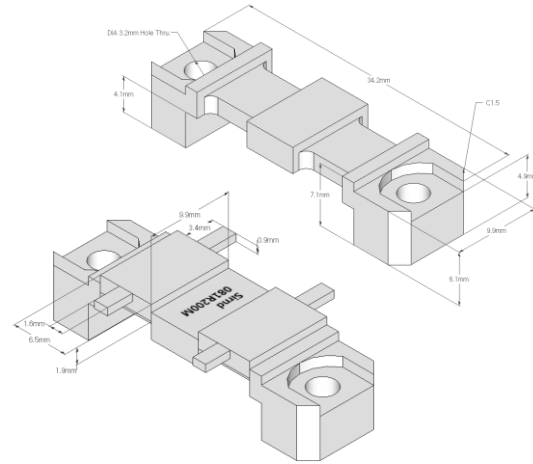
### Applications

- High power RF Transmission

### Characteristic Curve



### Product Dimensions



Parameter	Min.	Typ.	Max.	Units
Power Dissipation		30		Watts
Flange Temperature			100	° C

### Part Number

Company Name \_\_\_\_\_ **Sirnd**

Model Code \_\_\_\_\_ **081 R 200 M**

Element Type \_\_\_\_\_  
R : Resistor

Value(200Ω) \_\_\_\_\_

Type \_\_\_\_\_  
M : Module

*Specifications subject to change without notice.*

**Customer Service**

Tel : +82-70-8633-2304

Mobile : +82-10-8144-8759

Email: yseo71@kw.ac.kr

www.sirnd.com